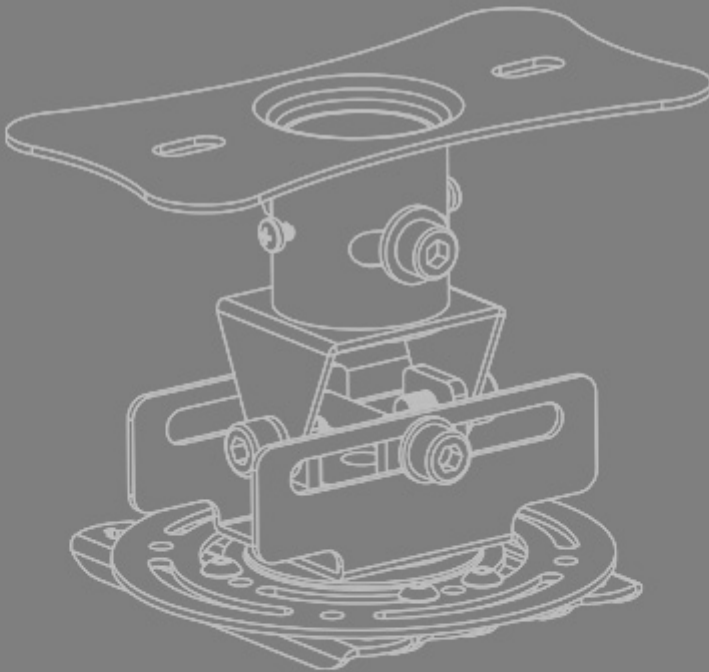


Universal projector flush ceiling mount



IMPORTANT NOTES




- Thank you for purchasing the Projector Flush Mount. This bracket is suitable for most projectors up to a load of 15kg.
- To ensure correct usage, please read this instruction manual thoroughly. Keep this manual for future reference.
- Brackets should be mounted only by a qualified installer
- User will be responsible for any injuries and damages that may arise from improper installation and handling of Projector Flush Mounting Kit.
- Ensure all mounting screws are appropriately positioned and properly tighten/ fastened.
- Installers are to ensure customer's safety during installation.
- We reserve the right to amend or undertake any necessary changes without prior notice.
- Ensure the Ceiling can support the total weight of the Projector and the Projector Flush Mount.
- All bolts and screws must be used at the designated points as per installation instructions to prevent damage to the projector unit, or injury.
- DO NOT install near an air conditioner or where there is excessive dust and smoke.

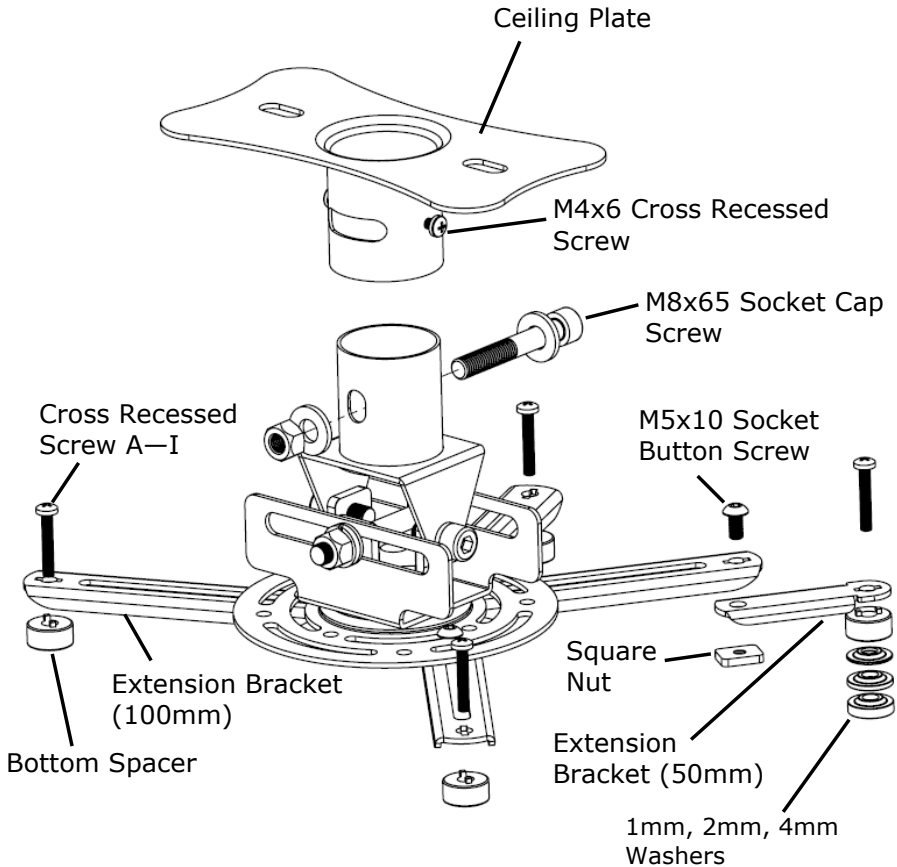
WARNING

This symbol indicates incorrect handling. Ignoring this symbol can result in the possibility of personal injury or even death.

CAUTION

This symbol indicates incorrect handling. Ignoring this symbol can result in the possibility of personal injury and physical damage.

 Caution (general)	This symbol indicates additional cautions (including warnings).
 Forbidden (general)	This symbol indicates forbidden actions.
 Required (general)	This symbol indicates required actions.



SPECIFICATION

Net Weight	: 2.52 kg (5.56 lbs)
Dimension	: 420 x 200 x 120 mm (16.5" x 7.9" x 4.7")
Extendable Length (Min to Max)	: Min 576mm, Max 826mm (Min 22.7", Max 32.5")
Load Capacity	: 15 kg (33 lbs)

SAFETY

Assembling without the correct use of bolts and screws at designated points may result in injury and damage to properties or the unit collapsing from its installed position. Should a malfunction occur disconnect the power from the main socket and surround the area with ropes to prevent others from getting near it.

Check and ensure the ceiling where you install can support the weight of the projector and ceiling mounting. All Ceiling Mounting Brackets are to be firmly secured so the unit will not drop off its installed position.

Steps should be taken to ensure the ceiling and installed unit can withstand external forces like earthquakes, vibrations, etc.

Do not remove any bolts and screws from the Ceiling Mounting Brackets or do any changes to the Ceiling Mounting Brackets.

Do not install near an air-conditioner. Do not install at place where there are excessive dust and smoke as fire could arise from these sources.

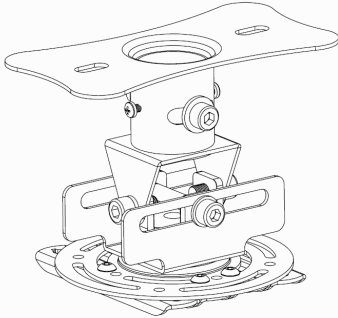
Keep the room well ventilated to prevent room temperature rising and possibilities resulting in fire.

Do not install in location where room temperature and humidity are excessively high to prevent fire. To prevent fire, avoid contact with water

Do not apply unnecessary stress or load on the installed unit.

PACKAGE OVERVIEW

1. Each package should contain the parts listed and shown below



Flush Mount Assembly (x1)

Parts Bag

A		M4 x 15 Cross Recessed Screw	4 pcs
B		M4 x 20 Cross Recessed Screw	4 pcs
C		M4 x 25 Cross Recessed Screw	4 pcs
D		M5 x 15 Cross Recessed Screw	4 pcs
E		M5 x 20 Cross Recessed Screw	4 pcs
F		M5 x 25 Cross Recessed Screw	4 pcs
G		M6 x 15 Cross Recessed Screw	4 pcs
H		M6 x 20 Cross Recessed Screw	4 pcs
I		M6 x 25 Cross Recessed Screw	4 pcs
J		1mm Washer	4 pcs
K		2mm Washer	4 pcs
L		4mm Washer	4 pcs
M		Bottom Spacer	4 pcs
N1		M5 x 10 Socket Button Screw	4 pcs
N2		Square Nut	4 pcs

a		M3 x 15 Cross Recessed Screw	4 pcs
b		M3 x 20 Cross Recessed Screw	4 pcs
c		M3 Flat Washer	4 pcs
d		Extension Bracket (50mm)	4 pcs

Tools Included

	3mm Allen Key	1 pc
	6mm Allen Key	1 pc

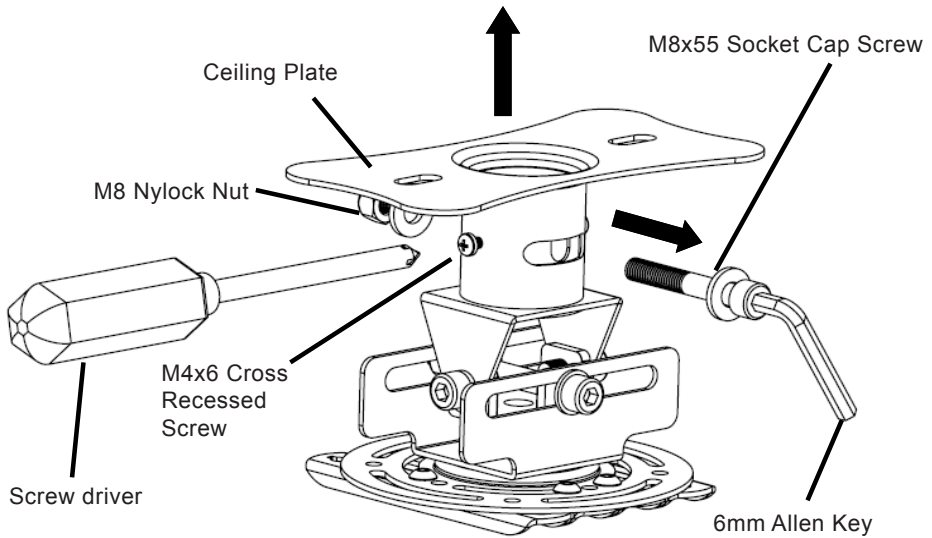
Tools Required for mount assembly

1. 1x Star / Philips Screw Driver
2. 1x 13mm Spanner

SETUP AND INSTALLATION

(A) Removing the Ceiling Plate from the Flush Mount Assembly:

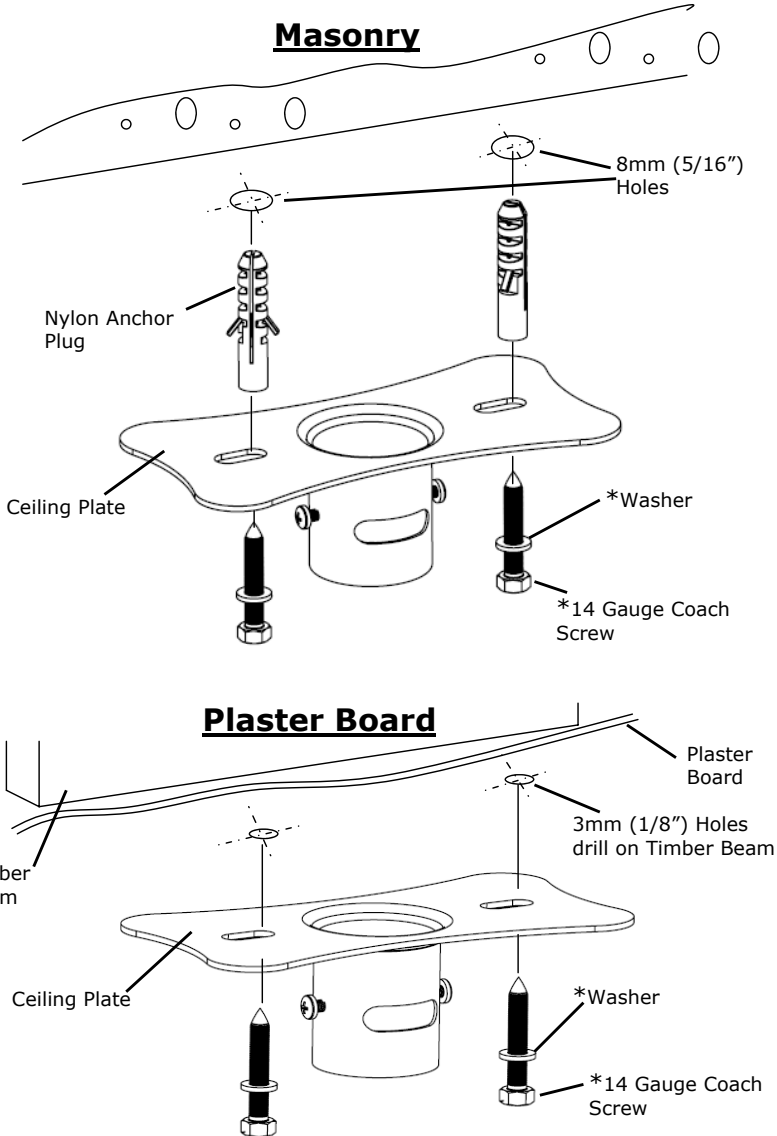
1. Loosen the M4x6 (x2) Cross Recessed Screw with a screw driver
2. Remove the M8x55 Socket Cap Screw and Nylock Nut from the Flush Mount Assembly as shown.
3. Removing the Ceiling Plate from the Flush Mount Assembly.



SETUP AND INSTALLATION

(B) Installing the Ceiling Plate:

Choose the appropriate installation procedure depending on your ceiling type.

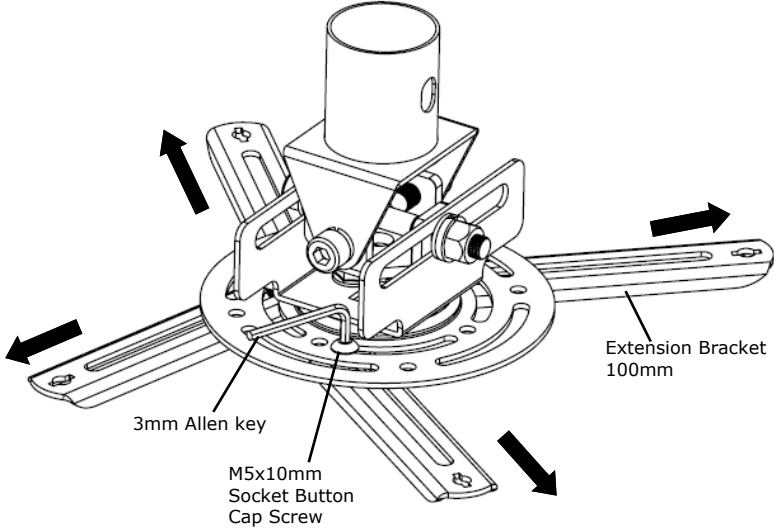


* Plug and Screws are only for recommendation, not supplied within package

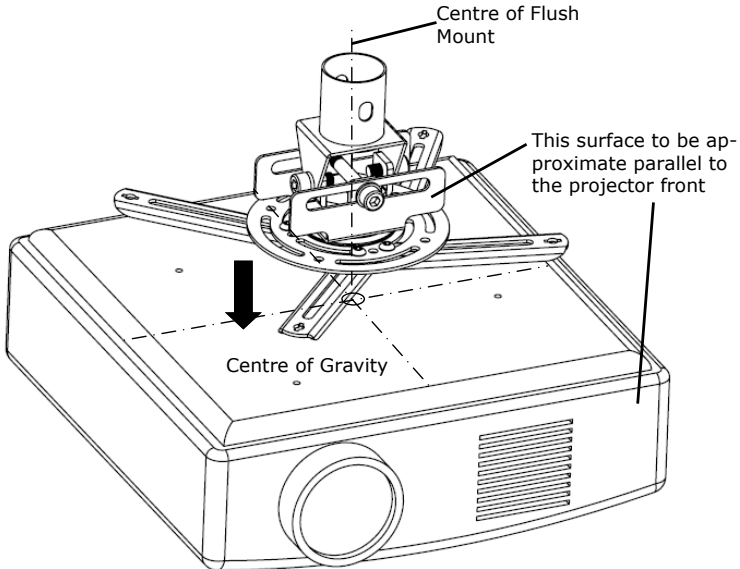
SETUP AND INSTALLATION

(C) Attaching the Flush Mount Assembly to the projector:

C.1— Loosen the M5x10mm Socket Button Cap Screws using the 3mm Allen key until you can slide the extension brackets freely, as shown.

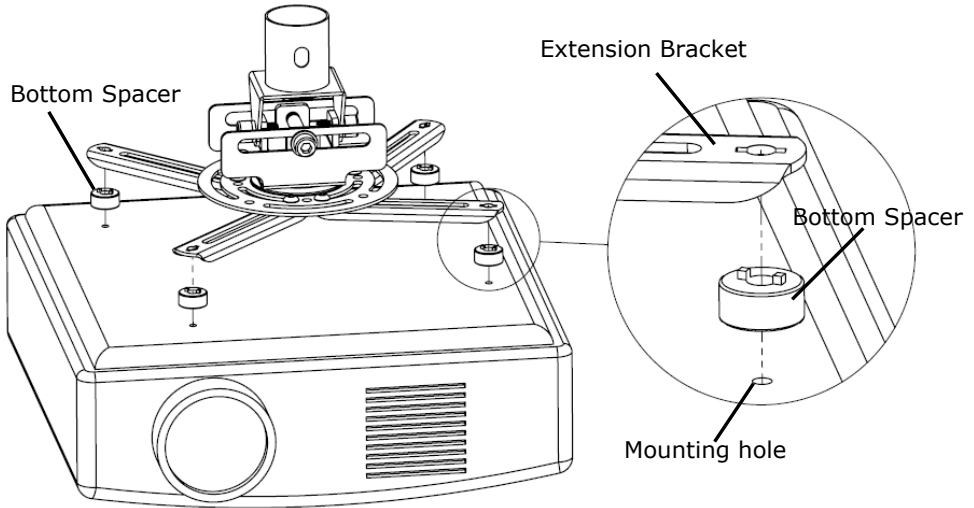


C.2— Place projector's Flush Mount Assembly over the projector and align the centre of the Flush Mount with the projector's approximate Centre of Gravity.



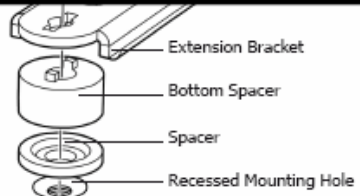
SETUP AND INSTALLATION

C.3— Place the Bottom Spacers in between the Extension Brackets and the Projector, and align the mounting holes as shown below.



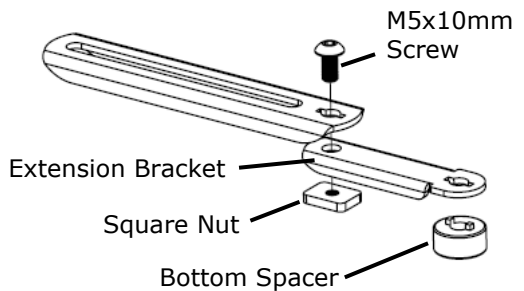
NOTE

If the mounting holes on your projector are recessed, you may need to use the additional spacers supplied in the parts bag. Please select the appropriate spacers according to the design of your projector.



Note 2:

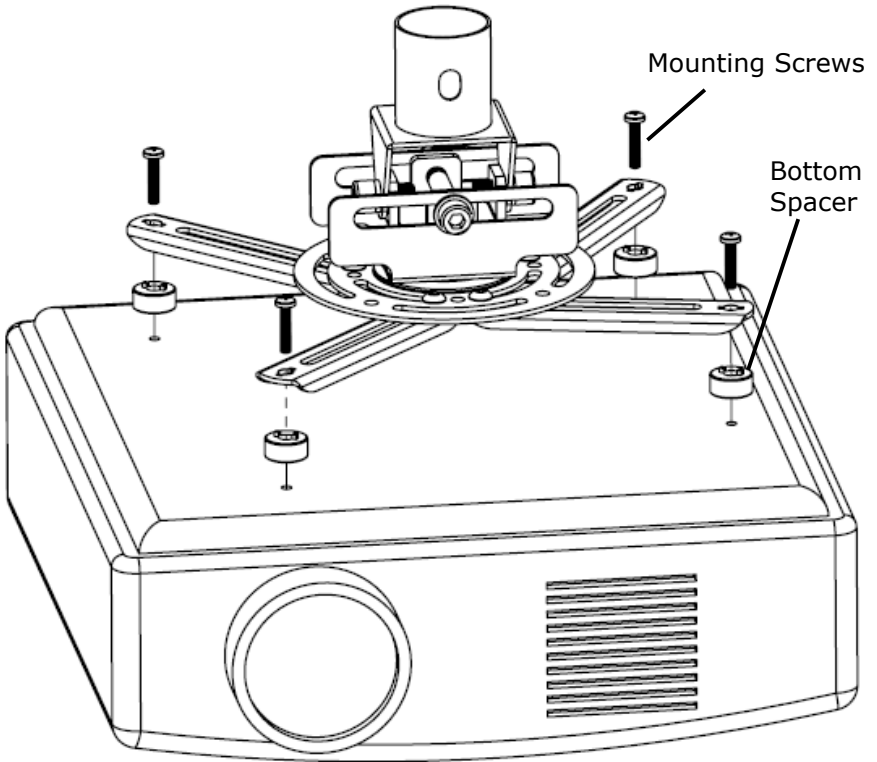
If you cannot align the 100mm Extension Bracket to the mounting hole on your projector, you may need to use the additional 50mm Extension Brackets shown in the diagram on the right.



SETUP AND INSTALLATION

C.4— Select the correct Mounting Screws from the Parts bag and firmly screw the Flush Mount Assembly onto your Projector.

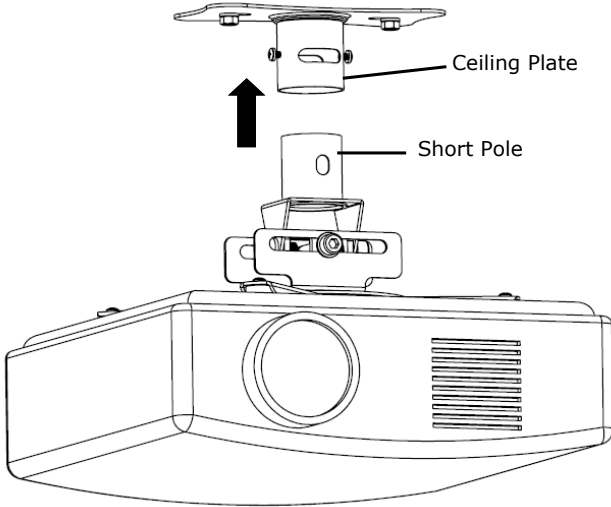
Once this is done, the Projector Flush Mount Assembly is ready to be mounted onto the Ceiling Plate.



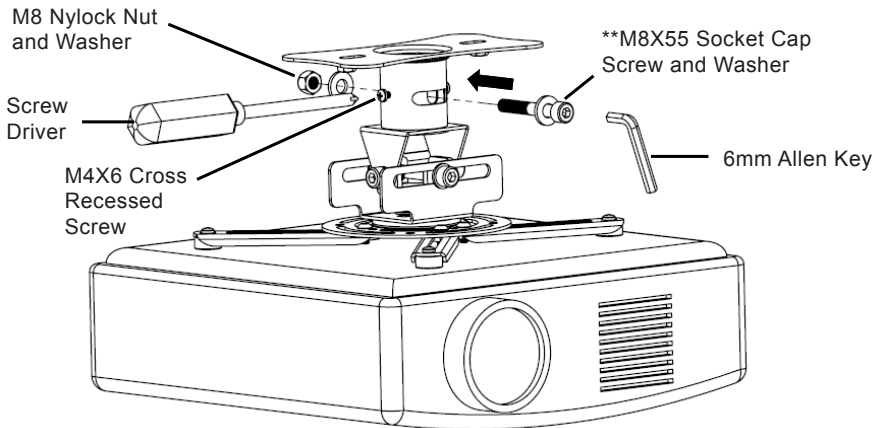
SETUP AND INSTALLATION

(D) Attaching the Flush Mount Assembly to the Ceiling Plate

D.1— Connect the Short Pole to the Ceiling Plate as shown be-



D.2— Insert the M8x55 Socket Cap Screw into the slot on the Ceiling Plate to lock the Flush Mount Assembly with the M8 Nylock Nut. Tighten the M4x5 Cross Recessed Screws to balance the Flush Mount Assembly.

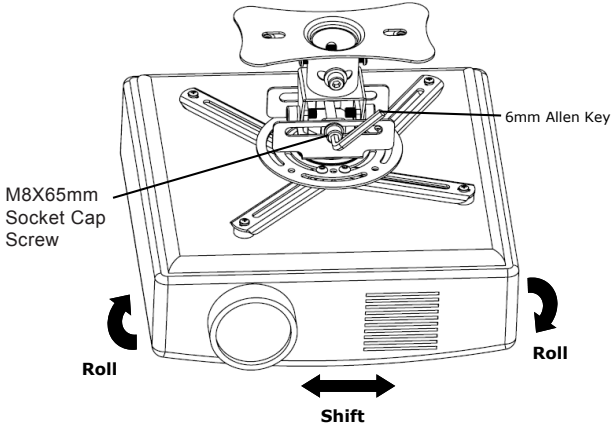


Tip: When the Projector required servicing, remove the Projector via the easy disconnection point** to save time.

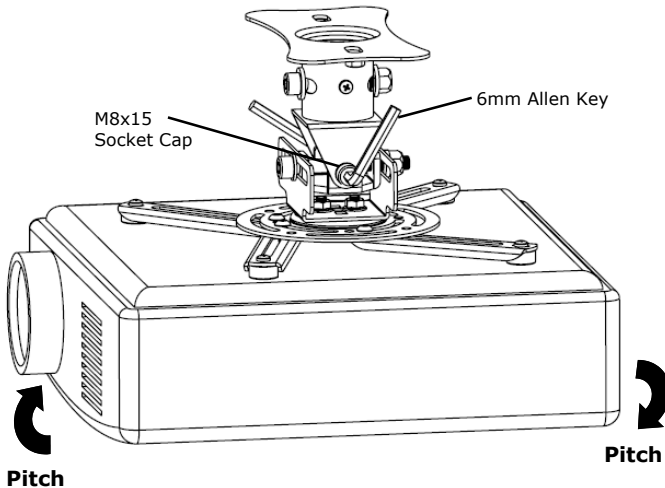
SETUP AND INSTALLATION

(E) Adjusting the Projector

Roll / Shift Adjustments — to make Roll/Shift adjustments, first ensure the weight of the Projector is supported. Then loosen the M8x65mm Socket Cap Screw with the supplied 6mm Allen Key and adjust to your desired position. Re tighten the screws firmly.



Pitch Adjustment — to make Pitch adjustments, first ensure the weight of the Projector is supported. Then loosen the M8x15mm Socket Cap Screws with the supplied 6mm Allen Key and adjust your projector to the desired position, then tighten the screws firmly.



Due to continuing product development, the manufacturer reserves the right to alter specifications without notice. Published: 31.03.2015



www.optoma.com